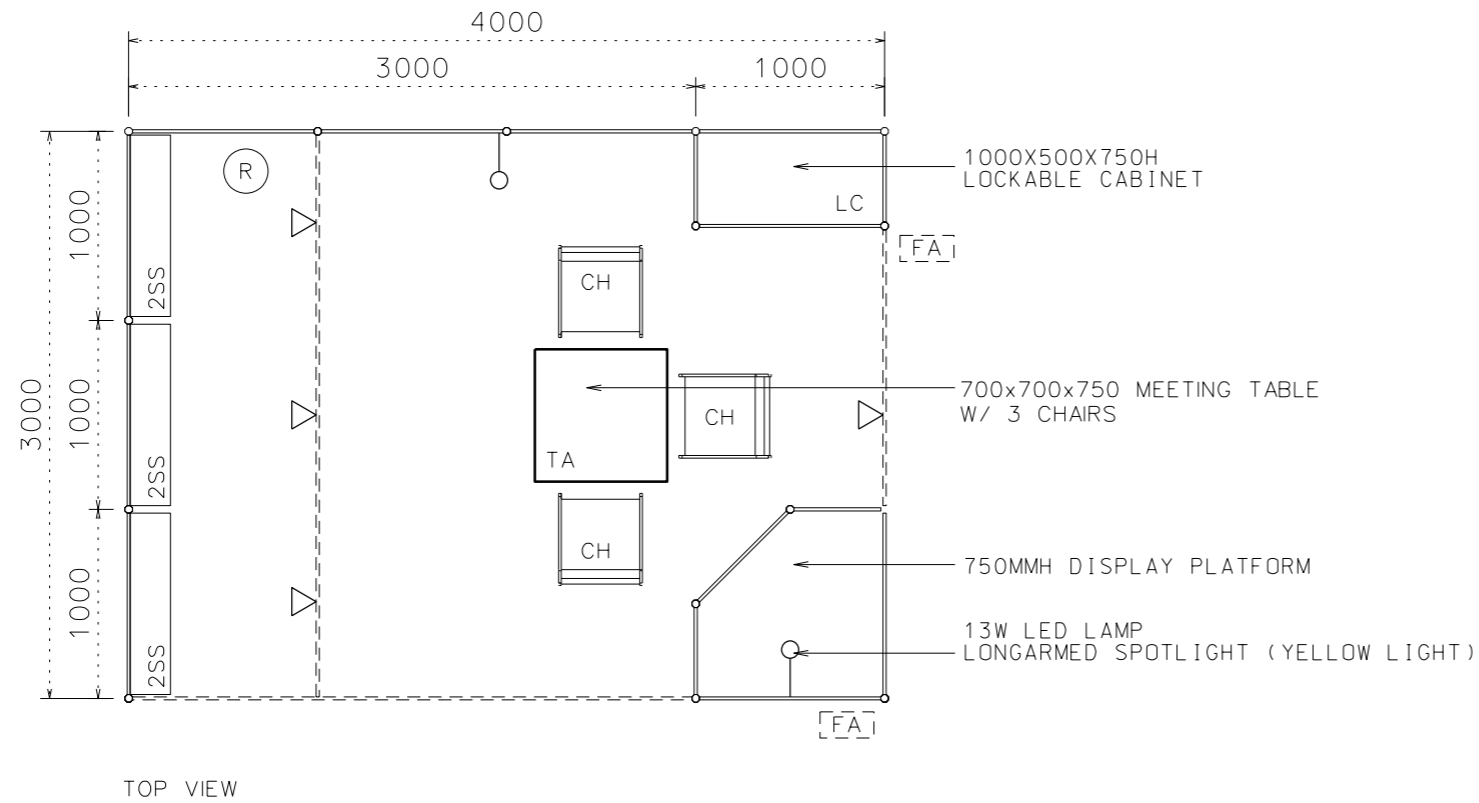
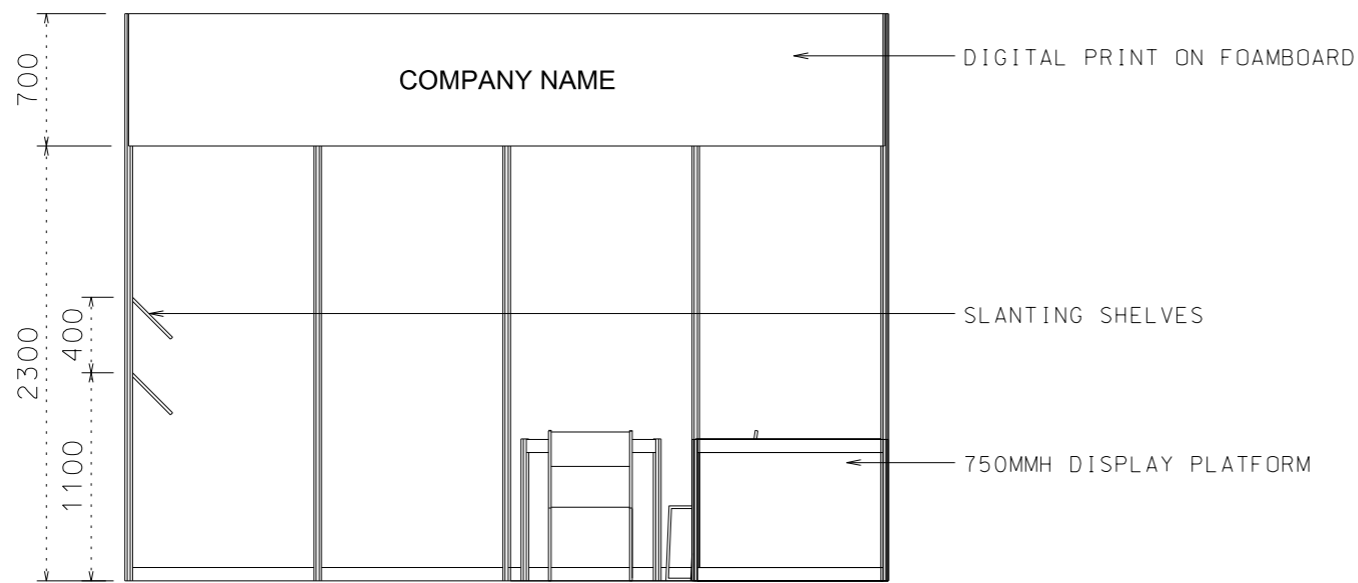


4M x 3M RIGHT CORNER BOOTH (GREEN ZONE)



TOP VIEW



FRONT ELEVATION

SHELL BOOTH FACILITIES

LEGEND	DESCRIPTION	QUANTITY
	1000 X 1000 X 750MMH DISPLAY PLATFORM	1
	MEETING TABLE 700X 700 X750MM (LXWXH)	1
	BLACK LEATHER CHAIR	3
[FA]	COMPAMY FASCIA	2
	13W LED LAMP LONGARMED SPOTLIGHT (YELLOW LIGHT)	2
	13W LED LAMP SPOTLIGHT (YELLOW LIGHT)	4
	CARPET	12SQM
	CEILING BEAM	3M
(R)	RUBBISH BIN	1
SS	SLANTING SHELVES	6M
LC	1000Lx500Dx750MMH LOCKABLE CABINET	1

FILE PATH - i:\o-Booth drawing\0427 Print_packaging\CR INTERNAL USE\Green Solution\B10D_4x3_GreenLivZone.dgn



NOTES UNLESS OTHERWISE SPECIFIED ALL DIMENSIONS ARE IN MM.

.....

.....

REVISION

DATE: 07/04/2025

SCALE: 1:40 (A3)

DRAWN BY: TIM

CHECKED BY:

TITLE

4M x 3M
 RIGHT CORNER BOOTH
 (GREEN ZONE)

PROJECT

HK INT'L
 PRINTING & PACKAGING
 FAIR 2025

SHEET

B10E